

**Accessories**  
**Wall mounted shelf for 3 baskets**  
**1680mm**

ITEM # \_\_\_\_\_

MODEL # \_\_\_\_\_

NAME # \_\_\_\_\_

SIS # \_\_\_\_\_

AIA # \_\_\_\_\_



864281 (DWWS3)

Wall mounted shelf for 3  
baskets 1680mm

### Short Form Specification

Item No. \_\_\_\_\_

Constructed in 304 AISI stainless steel. Square 25x25mm tubular frame. Fitted with bottom tray and drain hole. Designed for baskets 500x500mm.

### Main Features

- Designed to transport 500x500 mm dishwashing baskets.

### Construction

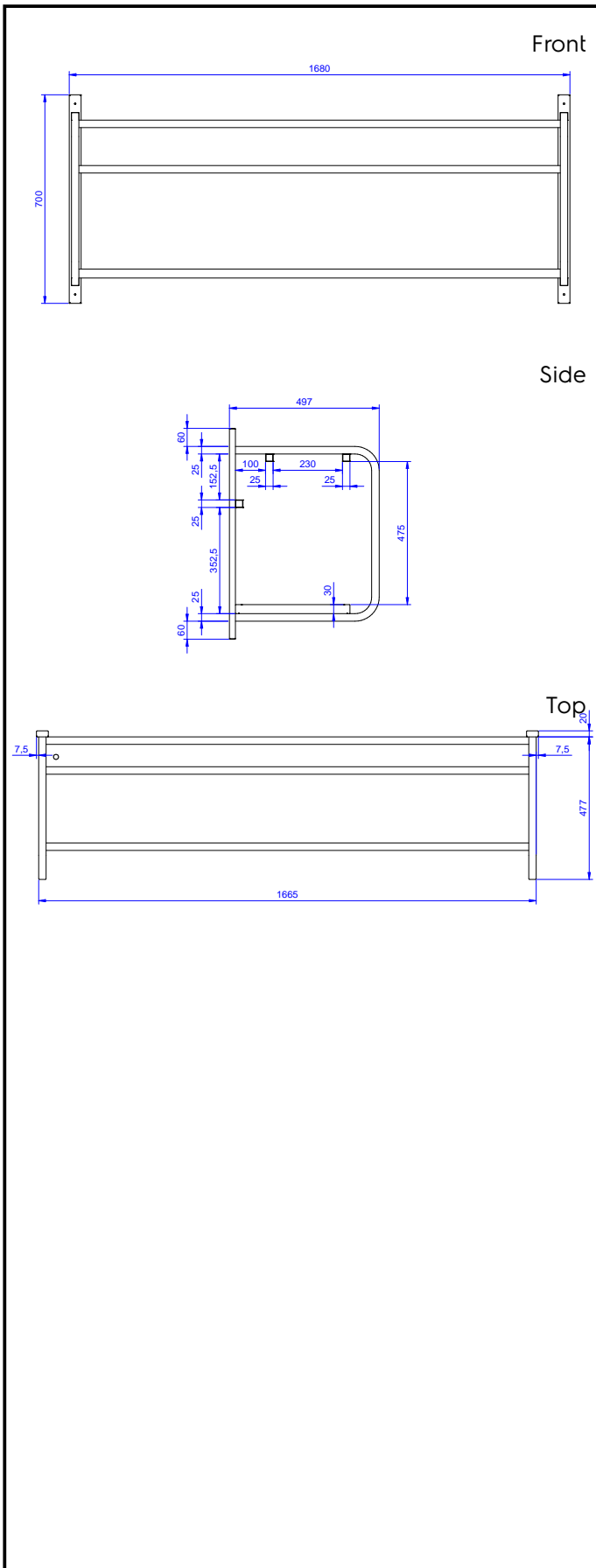
- Capacity: from 1 to 4 baskets (based on model).
- Square section frame 25x25 mm.
- 304 AISI stainless steel construction throughout.

### Sustainability

- Fitted with bottom tray and drain hole.



APPROVAL: \_\_\_\_\_



**Key Information:**

External dimensions, Width:	1680 mm
<b>864281 (DWWS3)</b>	
External dimensions, Depth:	500 mm
External dimensions, Height:	700 mm
Net weight:	16 kg